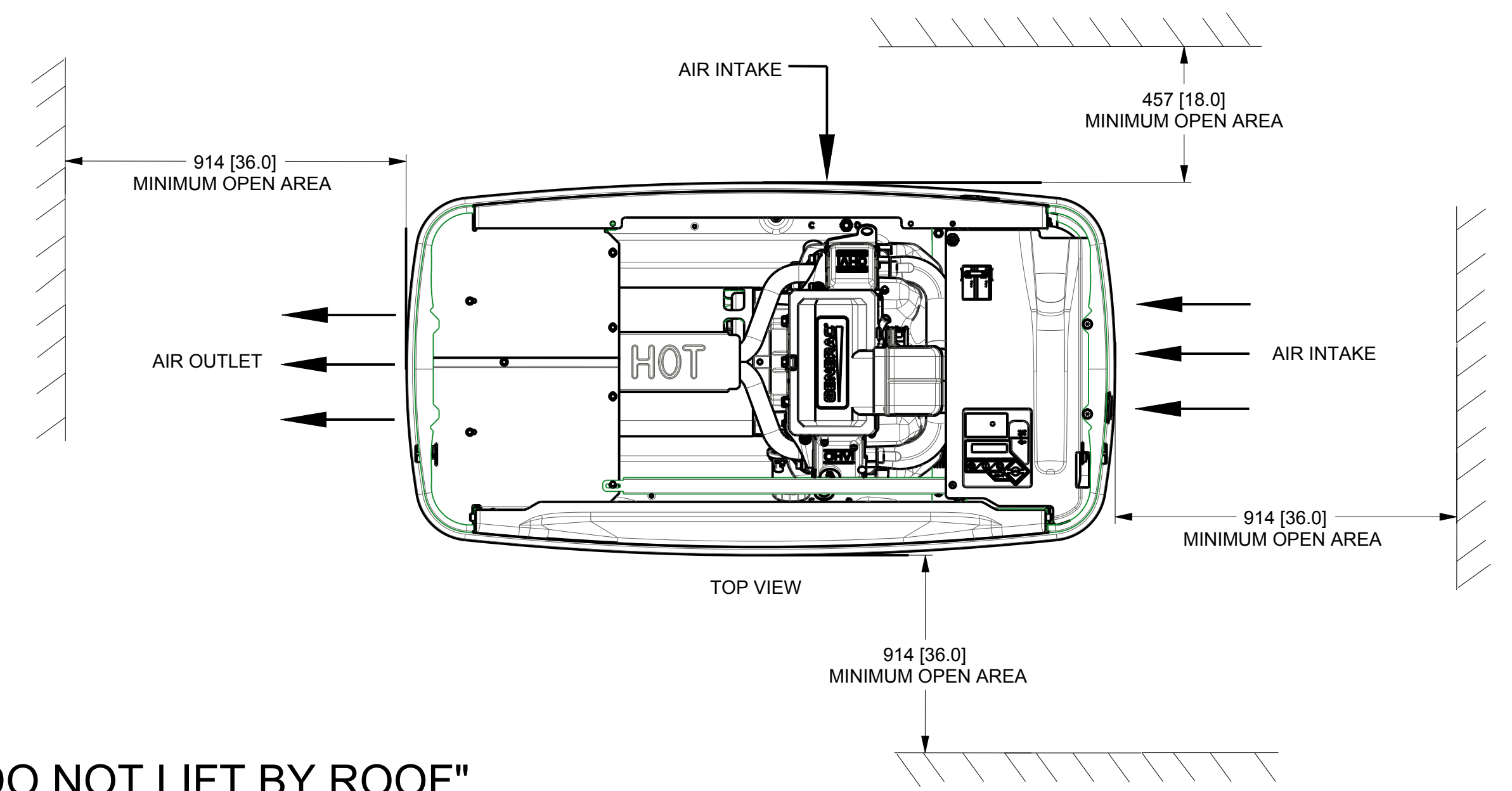
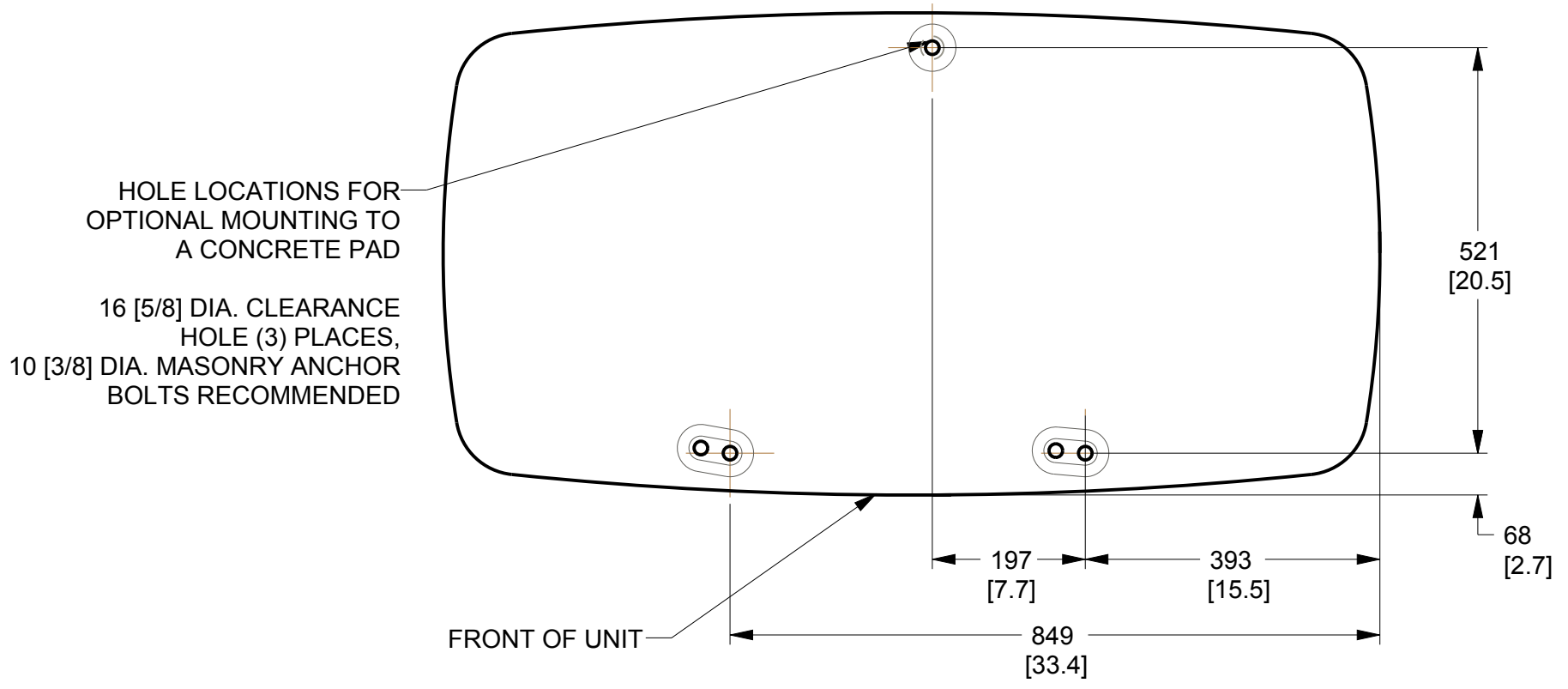
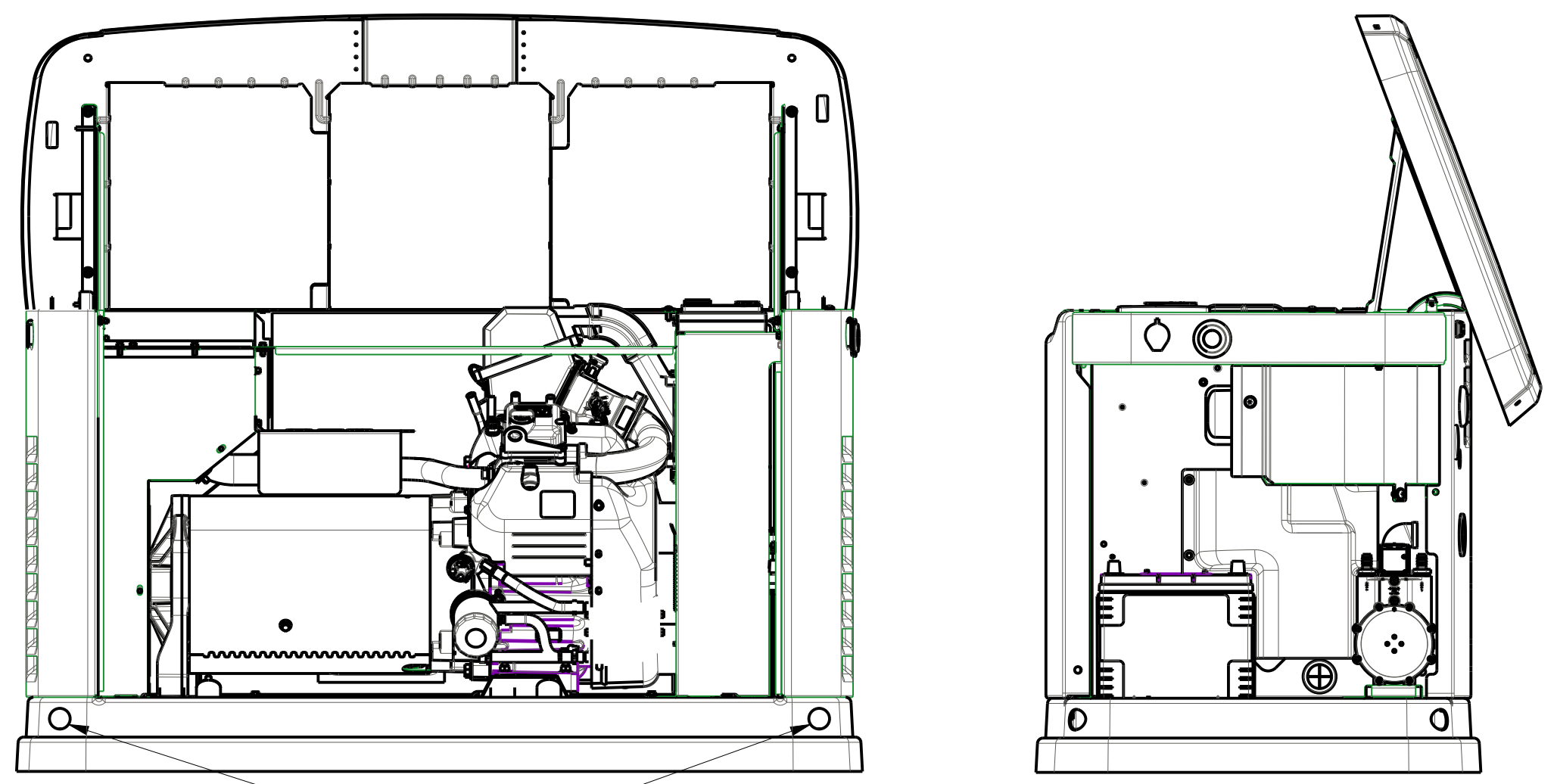


TRANSFER SWITCH (IF SUPPLIED)

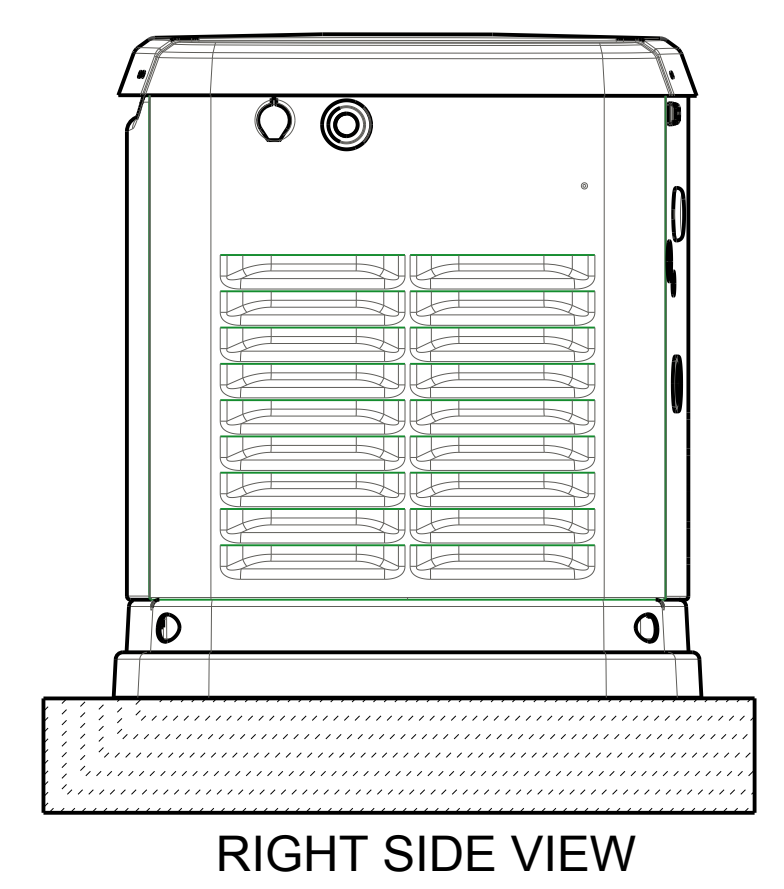
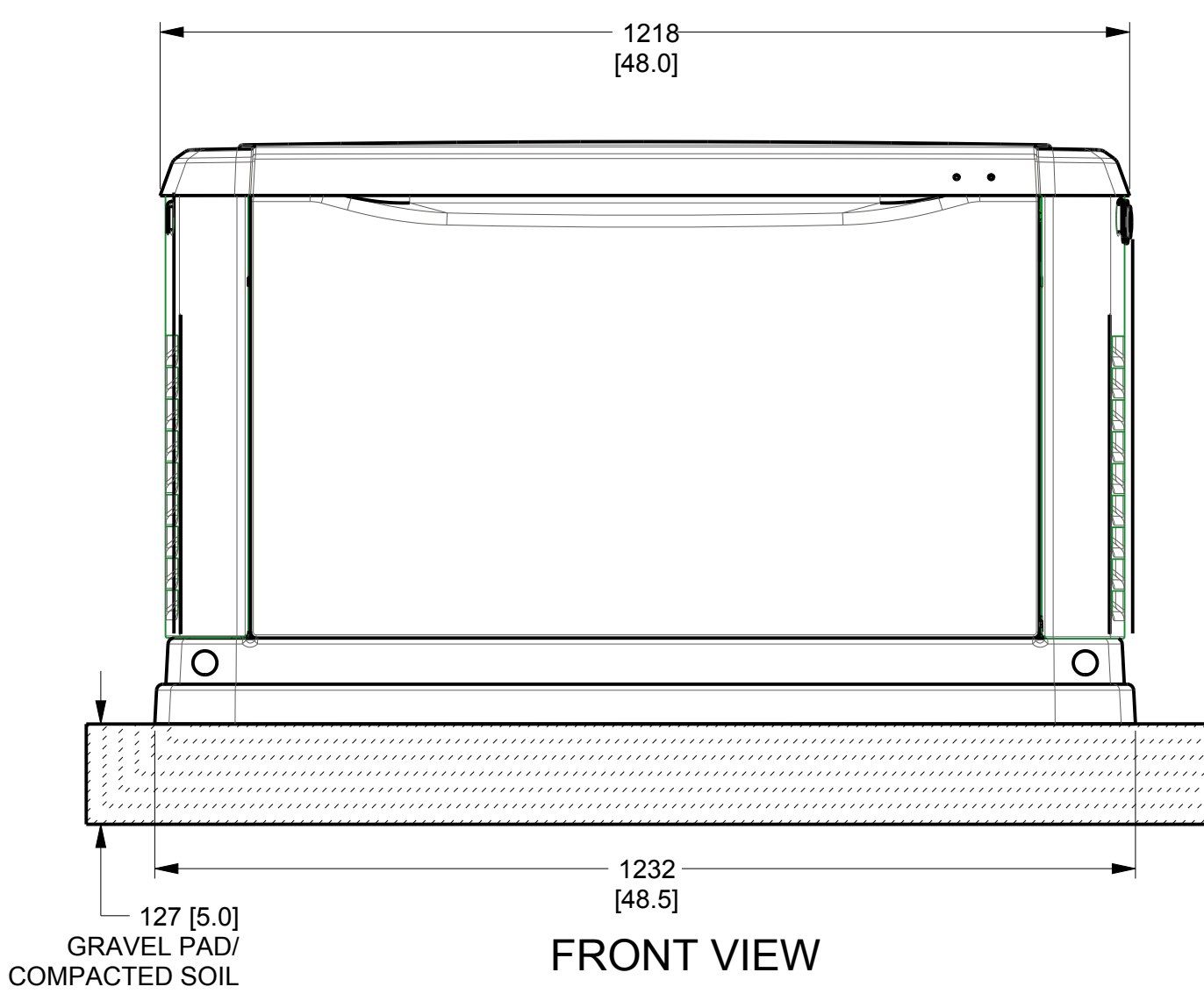
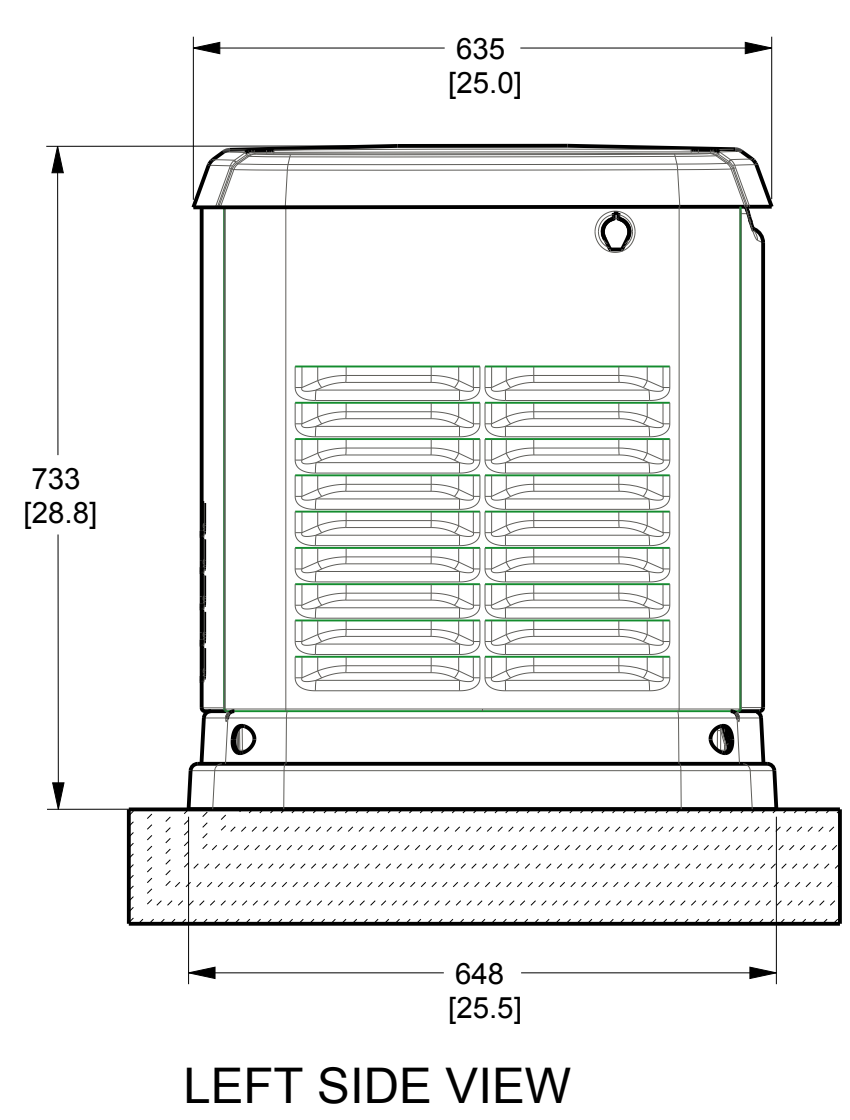
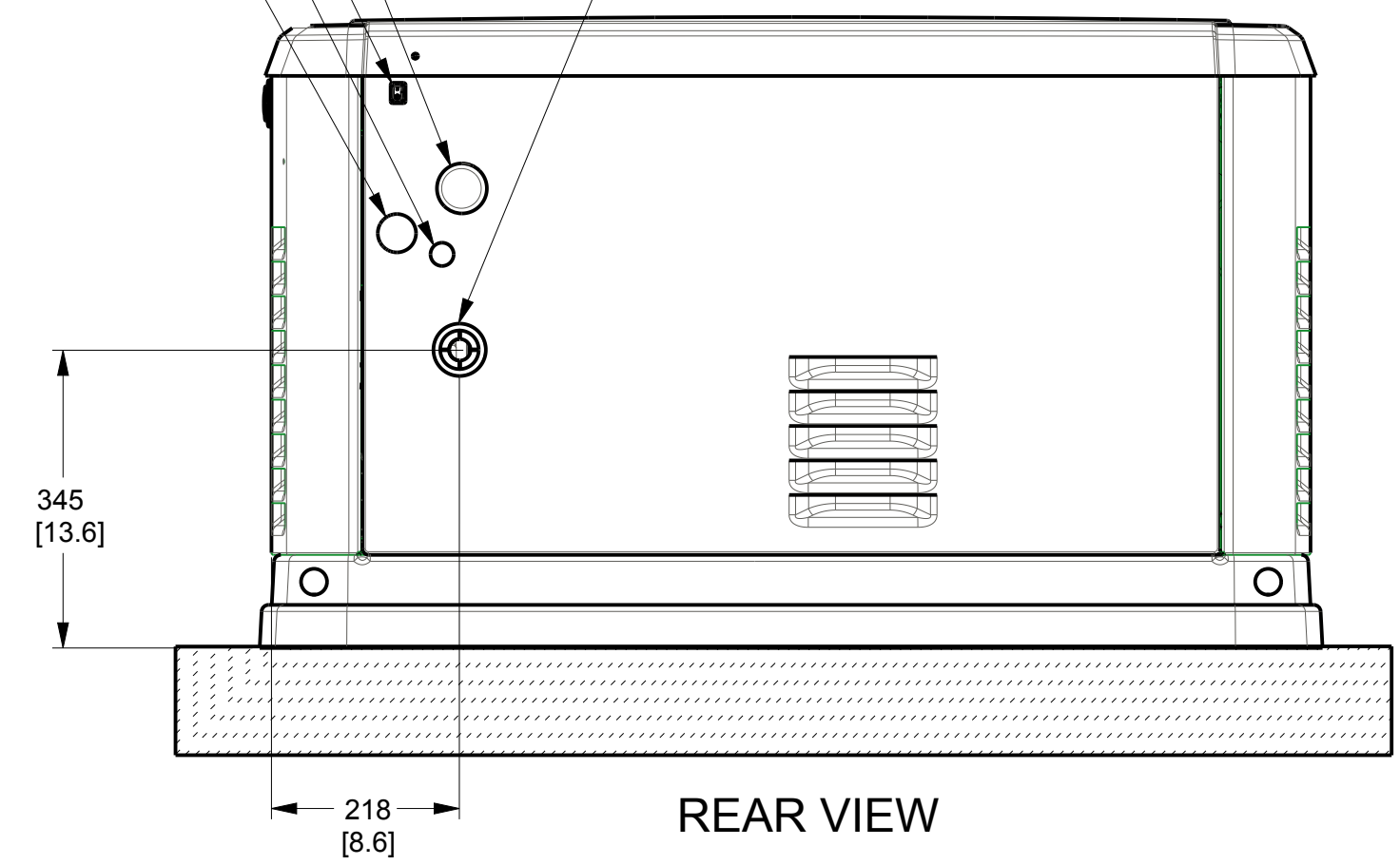
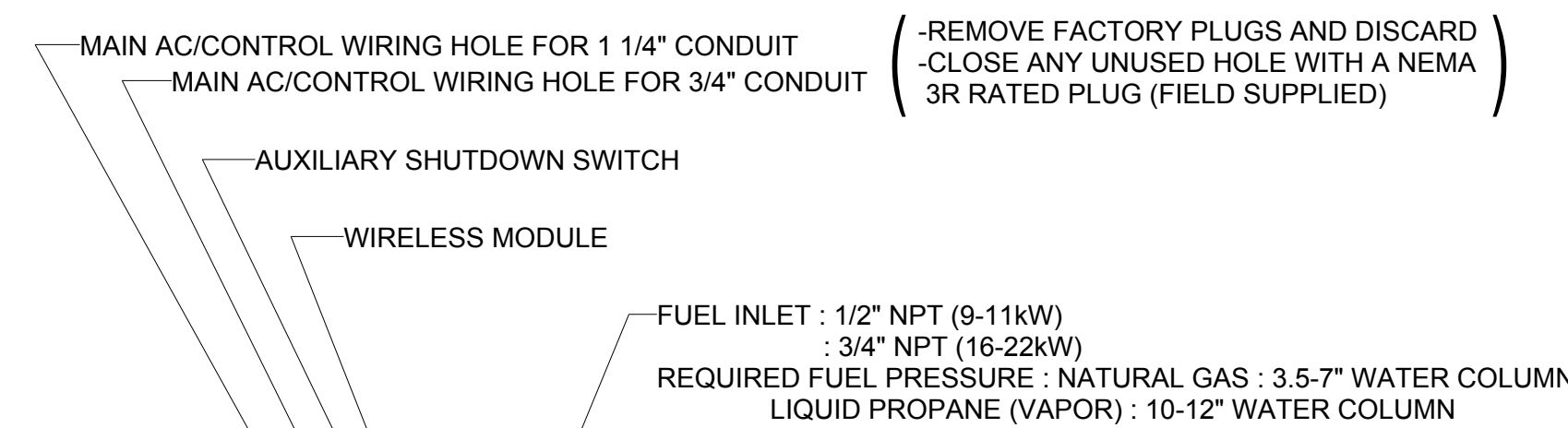
MOUNTING TO CONCRETE PAD



"DO NOT LIFT BY ROOF"



LIFTING HOLES 4 CORNERS: $\phi 30$ [$\phi 1.2$]
- MUST BE LIFTED WITH STEEL RODS
- RECOMMENDED LIFTING ROD SIZE: $\phi 25$ [$\phi 1.0$]



ALL DIMENSIONS IN: MILLIMETERS [INCHES]

DRAWING CREATED FROM PRO/ENGINEER 3D FILE. ECO MODIFICATION TO BE APPLIED TO SOLID MODEL ONLY.

INSTALLATION DRAWING

TITLE		GENERAC	
INSTALL HSB GENERATOR WM 60HZ			
FIRST USE: G0070432	ISSUE DATE: 12/19/16		
SIZE B	CAGE NO N/A	DWG NO 10000010258	REV B
SCALE NTS	WT-KG	N/A	SHEET 1 of 1